



LOCKOUT TAGOUT
KRM-LOTO
 SAFETY PRODUCTS

Lock Tag!! safe loto
 to meet OSHA's Lockout Tagout
 Standard 29 CFR, 1910.147 & 1910.269

CE
 Certified

Manufacturer & Global Supplier of
 Lockout \ Tagout & Safety Products

KRM CORPORATION
 ISO QMS - 9001:2015, ISO EMS 14001:2015, ISO OHSMS 45001:2018
KM Safetech Private Limited
 QUALITY MANAGEMENT SYSTEM ISO QMS 9001:2015



REGD. OFF. :1H/31-A, N.I.T. FARIDABAD, HARYANA-121001,INDIA POSTAL ADD.:615. SECTOR-15-A, FARIDABAD-121007,INDIA.

www.krmloto.com | www.krmcorporation.com | info@krmloto.com | krmloto@gmail.com | info@krmcorporation.com



OEM Manufacturer & Global Supplier of
 Lockout Tagout & Safety Products

to meet
 OSHA'S Lockout Tagout Standard
 29 CFR, 1910.147&1910.269



www.lotoappliances.com



Regd. Office:1H/31-A, N.I.T, Faridabad-121001 (Haryana) Postal Office:615, Sector-15-A, Faridabad-121007-Haryana-NCR-INDIA

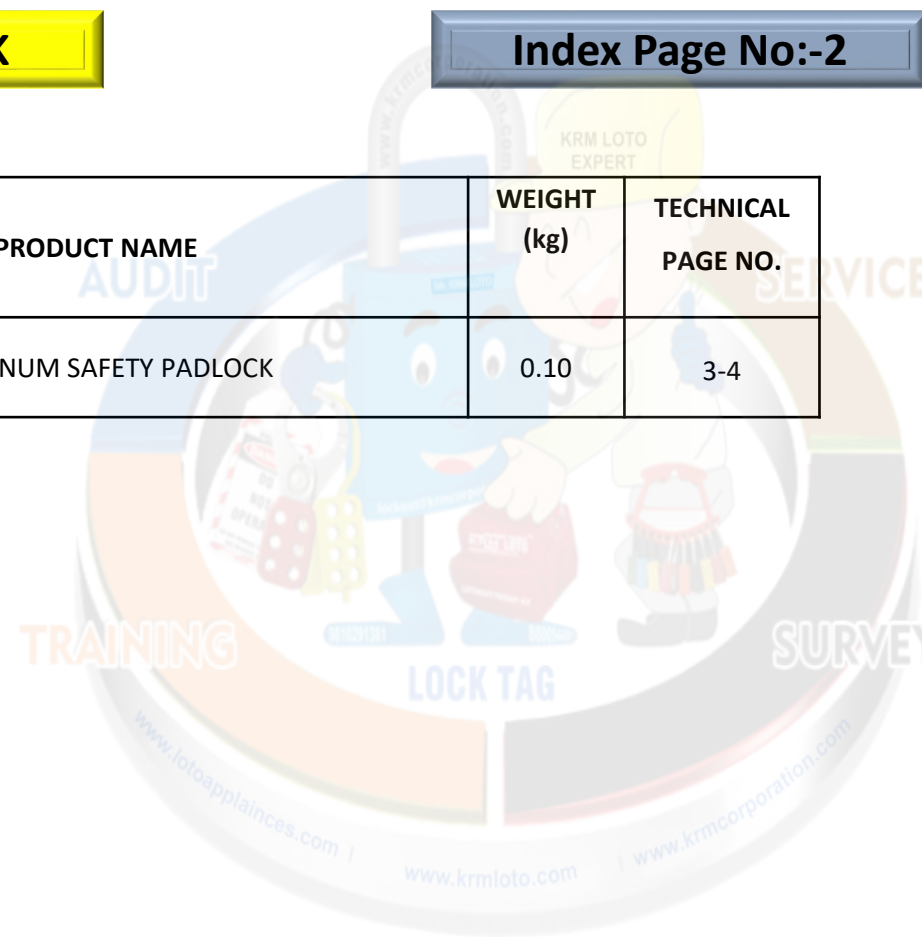
Email: info@krmloto.com, info@krmcorporation.com, krmloto@gmail.com

www.krmcorporation.com | www.lockouttagouts.com | www.krmloto.com | www.locktagindia.com | www.lotoappliances.com

KRM LOTO – LAMINATED PADLOCK

Index Page No:-2

SR.NO	KRM LOTO PART CODE	PRODUCT NAME	WEIGHT (kg)	TECHNICAL PAGE NO.
1	KRM-K-ASP	ALUMINUM SAFETY PADLOCK	0.10	3-4





OEM Manufacturer & Global Supplier of
 Lockout Tagout & Safety Products

to meet
 OSHA'S Lockout Tagout Standard
 29 CFR, 1910.147&1910.269



www.locktagindia.com

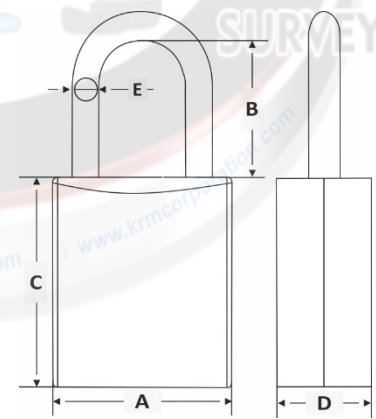


KRM LOTO – ALUMINUM SAFETY PADLOCK

- Padlock Is a detachable Lock Passed By An Opening With U-shaped Shackle Used To Protect Against Unauthorized Or Unwanted Stealing. Provided With Latest Locking Mechanism Used To Lock The Different Devices.
- KRM LOTO SAFETY PADLOCK ---"seamless" lock structure durability-Key system: DIFFER KEY, ALIKE KEY, MASTER & DIFFER KEY.
- Aluminum Body Padlock with brass cylinder and 6 pin tumbler
- Key retaining-ensures that padlock is not left unlocked.
- Two layer nickel plated brass keys
- Key system: **DIFFER KEY, ALIKE KEY, MASTER & DIFFER KEY.**
- **Body material:** Aluminum body
- **Shackle Material:** Hardened Steel Shackle
- **Color:** Red, Yellow, Blue, Green, Orange, Black
- Withstand 48 to 72 hours of salt spray testing
- **Weight** – 100gm



KRM-K-ASP



BODY WIDTH (A)	SHACKLE HEIGHT (B)	BODY HEIGHT (C)	BODY DEPTH (D)	SHACKLE THICKNESS (E)
39 mm	38 mm	40.5 mm	19 mm	6.3 mm



OEM Manufacturer & Global Supplier of
Lockout Tagout & Safety Products

to meet
OSHA'S Lockout Tagout Standard
29 CFR, 1910.147&1910.269



www.lotoappliances.com



GSTIN No.: 06AAECK2831L1Z1
PAN No.: AAECK2831L
TIN No.: 06824000112
CIN No.: U31903HR2011PTC042508
IEC: AAECK2831L

Telefax: 00 91 129 4021 381, 413 1381 (D)

Regd. Office: 1H/31-A, N.I.T, Faridabad-121001 (Haryana) Postal Office: 615, Sector-15-A, Faridabad-121007-Haryana-NCR-INDIA

www.krmcorporation.com | www.lockouttagouts.com | www.krmloto.com | www.locktagindia.com | www.lotoappliances.com

LOCKOUT/TAGOUT

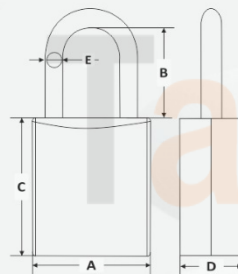


ALUMINUM SAFETY PADLOCKS

CE Certified

Padlock Is a detachable Lock Passed By An Opening With U-shaped Shackle Used To Protect Against Unauthorized Or Unwanted Stealing. Provided With **Latest Locking Mechanism** Used To Lock The Different Devices.

- KRM LOTO SAFETY PADLOCK ---"seamless" lock structure durability-Key system: **DIFFER KEY, ALIKE KEY, MASTER & DIFFER KEY.**
- Aluminum Body Padlock with brass cylinder and 6 pin tumbler
- Key retaining-ensures that padlock is not left unlocked.
- Two layer nickel plated brass keys
- **Key system:** DIFFER KEY, ALIKE KEY, MASTER & DIFFER KEY.
- **Body material:** Aluminum body
- **Shackle Material:** Hardened Steel Shackle
- **Color:** Red, Yellow, Blue, Green, Orange, Black
- Withstand 48 to 72 hours of salt spray testing
- **Weight** – 100gm



KRM-K-ASP

ITEM CODE	BODY WIDTH (A)	SHACKLE HEIGHT (B)	BODY HEIGHT(C)	BODY DEPTH (D)	SHACKLE THICKNESS (E)
KRM-K-ASP	39mm	38mm	40.5mm	19mm	6.3mm