



OEM Manufacturer & Global Supplier of
Lockout Tagout & Safety Products

to meet
OSHA'S Lockout Tagout Standard
29 CFR, 1910.147&1910.269



www.lotoappliances.com



KRM LOTO - LOCK TAG PADLOCK METAL / NYLON SHACKLE- ECONOMY





**KRM LOTO - LOCK TAG PADLOCK METAL / NYLON SHACKLE-
ECONOMY RANGE-5 LEVEL**



SHACKLE HEIGHT -40mm



SHACKLE HEIGHT -76mm



GSTIN No.: 06AAPPW8746Q1Z6,
PAN No.: AAVPW8746Q
TIN No.: 06821328889,
TAN no.: RTKKO3359G
IEC: 0509006116

M: 00 91 9810 291 381, 8800 544 881



OEM Manufacturer & Global Supplier of
Lockout Tagout & Safety Products

to meet
OSHA'S Lockout Tagout Standard
29 CFR, 1910.147&1910.269



www.lotoappliances.com



GSTIN No.: 06AAECK2831L1Z1
PAN No.: AAECK2831L
TIN No.: 06824000112
CIN No.: U31903HR2011PTC042508
IEC: AAECK2831L

Telefax: 00 91 129 4021 381, 413 1381 (D)

Regd. Office:1H/31-A, N.I.T, Faridabad-121001 (Haryana) Postal Office:615, Sector-15-A, Faridabad-121007-Haryana-NCR-INDIA

www.krmcorporation.com | www.lockouttagouts.com | www.krmloto.com | www.locktagindia.com | www.lotoappliances.com

**KRM LOTO - LOCK TAG PADLOCK METAL / NYLON
SHACKLE- ECONOMY RANGE -10 LEVEL**



SHACKLE HEIGHT -40mm



SHACKLE HEIGHT -76mm





OEM Manufacturer & Global Supplier of
Lockout Tagout & Safety Products

to meet
OSHA'S Lockout Tagout Standard
29 CFR, 1910.147&1910.269



www.lotoappliances.com



Regd. Office:1H/31-A, N.I.T, Faridabad-121001 (Haryana) Postal Office:615, Sector-15-A, Faridabad-121007-Haryana-NCR-INDIA

www.krmcorporation.com | www.lockouttagouts.com | www.krmloto.com | www.locktagindia.com | www.lotoappliances.com

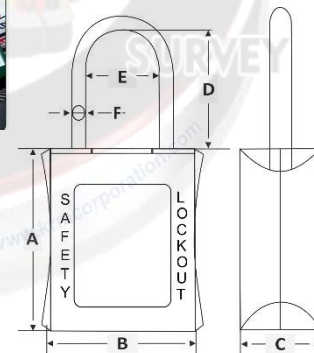
KRM LOTO - LOCK TAG PADLOCK METAL SHACKLE- ECONOMY RANGE-5 LEVEL

- A Padlock is a detachable lock passed by an opening with U Shaped shackle used to protect against unauthorized or unwanted stealing. Provided with LOCKING MECHANISM used to lock the different devices.
- PADLOCK----Molded lock structure durability - key system: DIFFER KEY , ALIKE KEY OPTION
- key System - 5 level management. **Max Combination differ key -400 nos. and repeat after that .**
- Key normal retaining feature in unlocked. Position .
- Configuration key card label as well as lock label , easy to know personal ID indicating the corresponding padlock for easy management.
- **Body Material** - ABS
- **Shackle Material** - Heavy Coated Metal steel.
- **Key** : Normal Brass with SS finish – 2 key each lock as standard , but in alike key one lock one key
- **Cylinder Pin** : normal internal Pin
- **NUMBERING** : Number on lock label and key chain only, not engraved
- **Color** - Red, Blue, Green, Yellow, Black .
- **Weight** – 80gm (+10%)



KRM-K-LSPL-MK-N5

KRM-K-LSPL-MKA-N5



BODY HEIGHT(A)	BODY WIDTH (B)	BODY DEPTH (C)	SHACKLE HEIGHT (D)	SHACKLE WIDTH (E)	SHACKLE THICKNESS (F)
45 mm	42 mm	20 mm	40 mm	20 mm	6 mm



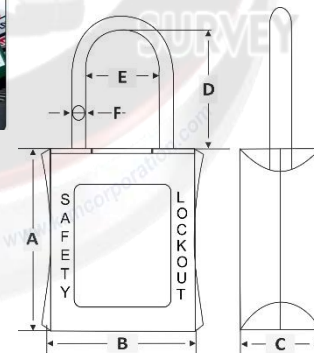
KRM LOTO - LOCK TAG PADLOCK NYLON SHACKLE- ECONOMY RANGE-5 LEVEL

- A Padlock is a detachable lock passed by an opening with U Shaped shackle used to protect against unauthorized or unwanted stealing. Provided with LOCKING MECHANISM used to lock the different devices.
- PADLOCK---Molded lock structure durability - key system: DIFFER KEY , ALIKE KEY OPTION
- key System - 5 level management. **Max Combination differ key -400 nos. and repeat after that .**
- Key normal retaining feature in unlocked. Position .
- Configuration key card label as well as lock label , easy to know personal ID indicating the corresponding padlock for easy management.
- **Body Material** - ABS
- **Shackle Material** - Nylon black material shackle 6mm thick
- **Key** : Normal Brass with SS finish – 2 key each lock as standard , but in alike key one lock one key
- **Cylinder Pin** : normal internal Pin
- **NUMBERING** : Number on lock label and key chain only, not engraved
- **Color** - Red, Blue, Green, Yellow, Black .
- **Weight** – 80gm (+-10%)



KRM-K-LSPL-NK-N5

KRM-K-LSPL-NKA-N5



BODY HEIGHT(A)	BODY WIDTH (B)	BODY DEPTH (C)	SHACKLE HEIGHT (D)	SHACKLE WIDTH (E)	SHACKLE THICKNESS (F)
45 mm	42 mm	20 mm	40 mm	20 mm	6 mm



OEM Manufacturer & Global Supplier of
Lockout Tagout & Safety Products

to meet
OSHA'S Lockout Tagout Standard
29 CFR, 1910.147&1910.269



www.lotoappliances.com



Regd. Office:1H/31-A, N.I.T, Faridabad-121001 (Haryana) Postal Office:615, Sector-15-A, Faridabad-121007-Haryana-NCR-INDIA

www.krmcorporation.com | www.lockouttagouts.com | www.krmloto.com | www.locktagindia.com | www.lotoappliances.com

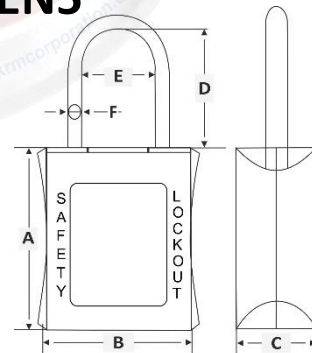
KRM LOTO - LOCK TAG PADLOCK METAL SHACKLE- ECONOMY RANGE-5 LEVEL

- A Padlock is a detachable lock passed by an opening with U Shaped shackle used to protect against unauthorized or unwanted stealing. Provided with LOCKING MECHANISM used to lock the different devices.
- PADLOCK----Molded lock structure durability - key system: DIFFER KEY , ALIKE KEY OPTION
- key System - 5 level management. **Max Combination differ key -400 nos. and repeat after that .**
- Key retaining feature in unlocked. Position .
- Configuration key card label as well as lock label , easy to know personal ID indicating the corresponding padlock for easy management.
- **Body Material** - Engineering material ABS
- **Shackle Material** - Heavy Coated Metal steel.
- Key : Brass with SS finish – 2 key each lock as standard , but in alike key one lock one key
- **Cylinder Pin** : normal internal Pin
- **Color** - Red, Blue, Green, Yellow, Black .
- **Weight** – 80gm (+-10%)
- **STANDARD ENGRAVED ALPHABETS WITH NUMRICAL NUMBER ON LOCK BODY & KEY HEAD.**



KRM-K-LSPL-MK-EN5

KRM-K-LSPL-MKA-EN5



BODY HEIGHT(A)	BODY WIDTH (B)	BODY DEPTH (C)	SHACKLE HEIGHT (D)	SHACKLE WIDTH (E)	SHACKLE THICKNESS (F)
45 mm	42 mm	20 mm	40 mm	20 mm	6 mm



OEM Manufacturer & Global Supplier of
Lockout Tagout & Safety Products

to meet
OSHA'S Lockout Tagout Standard
29 CFR, 1910.147 & 1910.269



www.lotoappliances.com



Regd. Office: 1H/31-A, N.I.T, Faridabad-121001 (Haryana) | Postal Office: 615, Sector-15-A, Faridabad-121007-Haryana-NCR-INDIA

www.krmcorporation.com | www.lockouttagouts.com | www.krmloto.com | www.locktagindia.com | www.lotoappliances.com

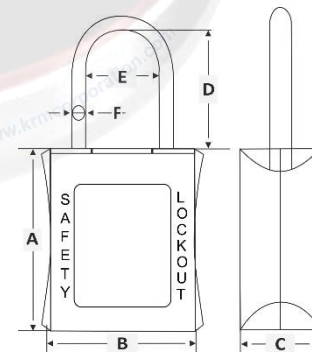
KRM LOTO - LOCK TAG PADLOCK METAL SHACKLE- ECONOMY RANGE-5 LEVEL

- A Padlock is a detachable lock passed by an opening with U Shaped shackle used to protect against unauthorized or unwanted stealing. Provided with LOCKING MECHANISM used to lock the different devices.
- PADLOCK----Molded lock structure durability - key system: DIFFER KEY , ALIKE KEY OPTION
- key System - 5 level management. **Max Combination differ key -400 nos. and repeat after that .**
- Key retaining feature in unlocked. Position .
- Configuration key card label as well as lock label , easy to know personal ID indicating the corresponding padlock for easy management.
- **Body Material** - Engineering material ABS
- **Shackle Material** - Heavy Coated Metal steel.
- Key : Brass with SS finish - one lock one key
- **Cylinder Pin** : normal internal Pin
- **Color** - Red, Blue, Green, Yellow, Black .
- **Weight** – 80gm (+10%)
- **STANDARD ENGRAVED ALPHABETS WITH NUMRICAL NUMBER ON LOCK BODY & KEY HEAD.**



KRM-K-LSPL-MK-EN5-1

BODY HEIGHT(A)	BODY WIDTH (B)	BODY DEPTH (C)	SHACKLE HEIGHT (D)	SHACKLE WIDTH (E)	SHACKLE THICKNESS (F)
45 mm	42 mm	20 mm	40 mm	20 mm	6 mm





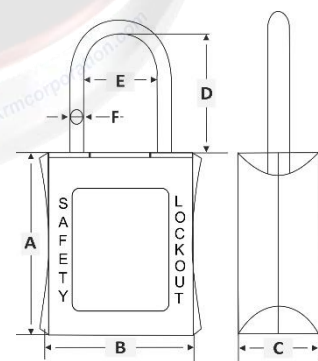
KRM LOTO - LOCK TAG PADLOCK NYLON SHACKLE- ECONOMY RANGE-5 LEVEL

- A Padlock is a detachable lock passed by an opening with U Shaped shackle used to protect against unauthorized or unwanted stealing. Provided with LOCKING MECHANISM used to lock the different devices.
- PADLOCK----Molded lock structure durability - key system: DIFFER KEY , ALIKE KEY OPTION
- key System - 5 level management. **Max Combination differ key -400 nos. and repeat after that .**
- Key retaining feature in unlocked. Position .
- Configuration key card label as well as lock label , easy to know personal ID indicating the corresponding padlock for easy management.
- **Body Material** - Engineering material ABS
- **Shackle Material** - Nylon black material shackle 6mm thick.
- **Key** : Brass with SS finish – 2 key each lock as standard , but in alike key one lock one key
- **Cylinder Pin** : normal internal Pin
- **Color** - Red, Blue, Green, Yellow, Black .
- **Weight** – 75gm (-+10%)
- **STANDARD ENGRAVED ALPHABETS WITH NUMRICAL NUMBER ON LOCK BODY & KEY HEAD.**



KRM-K-LSPL-NK-EN5

KRM-K-LSPL-NKA-EN5



BODY HEIGHT(A)	BODY WIDTH (B)	BODY DEPTH (C)	SHACKLE HEIGHT (D)	SHACKLE WIDTH (E)	SHACKLE THICKNESS (F)
45 mm	42 mm	20 mm	40 mm	20 mm	6 mm



OEM Manufacturer & Global Supplier of
Lockout Tagout & Safety Products

to meet
OSHA'S Lockout Tagout Standard
29 CFR, 1910.147&1910.269



www.lotoappliances.com



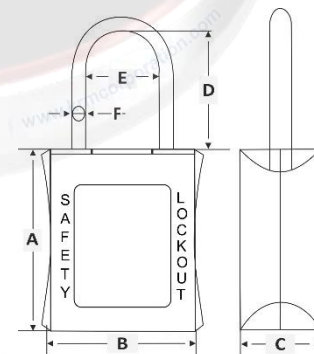
Email: info@krmloto.com, info@krmcorporation.com, krmloto@gmail.com

KRM LOTO - LOCK TAG PADLOCK NYLON SHACKLE - ECONOMY RANGE-5 LEVEL

- A Padlock is a detachable lock passed by an opening with U Shaped shackle used to protect against unauthorized or unwanted stealing. Provided with LOCKING MECHANISM used to lock the different devices.
- PADLOCK---Molded lock structure durability - key system: DIFFER KEY , ALIKE KEY OPTION
- key System - 5 level management. **Max Combination differ key -400 nos. and repeat after that .**
- Key retaining feature in unlocked. Position .
- Configuration key card label as well as lock label , easy to know personal ID indicating the corresponding padlock for easy management.
- **Body Material** - Engineering material ABS
- **Shackle Material** - Nylon black material shackle 6mm thick
- **Key** : Brass with SS finish –one lock one key
- **Cylinder Pin** : normal internal Pin
- **Color** - Red, Blue, Green, Yellow, Black .
- **Weight** – 75gm (-+10%)
- **STANDARD ENGRAVED ALPHABETS WITH NUMRICAL NUMBER ON LOCK BODY & KEY HEAD.**



KRM-K-LSPL-NK-EN5-1



BODY HEIGHT(A)	BODY WIDTH (B)	BODY DEPTH (C)	SHACKLE HEIGHT (D)	SHACKLE WIDTH (E)	SHACKLE THICKNESS (F)
45 mm	42 mm	20 mm	40 mm	20 mm	6 mm



OEM Manufacturer & Global Supplier of
Lockout Tagout & Safety Products

to meet
OSHA'S Lockout Tagout Standard
29 CFR, 1910.147 & 1910.269



www.lotoappliances.com



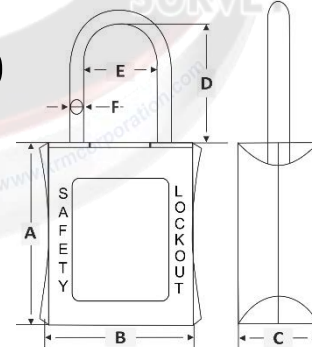
KRM LOTO - LOCK TAG PADLOCK METAL SHACKLE- ECONOMY RANGE -10 LEVEL

- A Padlock is a detachable lock passed by an opening with U Shaped shackle used to protect against unauthorized or unwanted stealing. Provided with LOCKING MECHANISM used to lock the different devices.
- PADLOCK---Molded lock structure durability - key system: DIFFER KEY , ALIKE KEY OPTION
- key System – 10 level management. **Combination differ key vary from - 600 -1000 nos. as per production pattern. and repeat after that .**
- Key retaining feature in unlocked. Position .
- Configuration key card label as well as lock label , easy to know personal ID indicating the corresponding padlock for easy management.
- **Body Material** - Engineering material ABS
- **Shackle Material** - Heavy Coated Metal steel.
- **C. Key** : Brass with SS finish – 2 key each lock as standard , but in alike key one lock one key
- **Cylinder Pin** : normal internal Pin
- **NUMBERING** : Number on lock label and key chain only, not engraved
- **Color** - Red, Blue, Green, Yellow, Black .
- **Weight** – 80gm (-+10%)



KRM-K-LSPL-MK-NC10

KRM-K-LSPL-MKA-NC10



BODY HEIGHT(A)	BODY WIDTH (B)	BODY DEPTH (C)	SHACKLE HEIGHT (D)	SHACKLE WIDTH (E)	SHACKLE THICKNESS (F)
45 mm	42 mm	20 mm	40 mm	20 mm	6 mm



OEM Manufacturer & Global Supplier of
Lockout Tagout & Safety Products

to meet
OSHA'S Lockout Tagout Standard
29 CFR, 1910.147&1910.269



www.lotoappliances.com



Regd. Office: 1H/31-A, N.I.T, Faridabad-121001 (Haryana) | Postal Office: 615, Sector-15-A, Faridabad-121007-Haryana-NCR-INDIA

www.krmcorporation.com | www.lockouttagouts.com | www.krmloto.com | www.locktagindia.com | www.lotoappliances.com

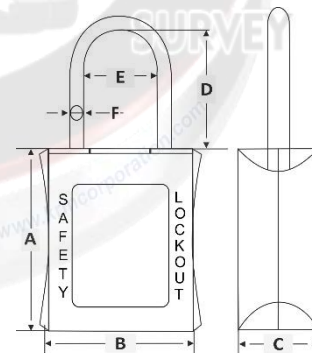
KRM LOTO - LOCK TAG PADLOCK NYLON SHACKLE- ECONOMY RANGE – 10 LEVEL

- A Padlock is a detachable lock passed by an opening with U Shaped shack used to protect against unauthorized or unwanted stealing. Provided with LOCKING MECHANISM used to lock the different devices.
- PADLOCK----Molded lock structure durability - key system: DIFFER KEY , ALIKE KEY OPTION
- key System – 10 level management. Combination differ key vary from - 600 -1000 nos. as per production pattern. and repeat after that .
- Key retaining feature in unlocked. Position .
- Configuration key card label as well as lock label , easy to know personal I indicating the corresponding padlock for easy management.
- **Body Material** - Engineering material ABS
- **Shackle Material** – Black Nylon.
- **C. Key** : Brass with SS finish – 2 key each lock as standard , but in alike key one lock one key
- **Color** - Red, Blue, Green, Yellow, Black .
- **Weight** – 75gm (+10%)
- **STANDARD ENGRAVED ALPHABETS WITH NUMRICAL NUMBER ON LOCK BODY & KEY HEAD.**



KRM-K-LSPL-NK-NC10

KRM-K-LSPL-MKA-NC10



BODY HEIGHT(A)	BODY WIDTH (B)	BODY DEPTH (C)	SHACKLE HEIGHT (D)	SHACKLE WIDTH (E)	SHACKLE THICKNESS (F)
45 mm	42 mm	20 mm	40 mm	20 mm	6 mm



OEM Manufacturer & Global Supplier of
Lockout Tagout & Safety Products

to meet
OSHA'S Lockout Tagout Standard
29 CFR, 1910.147&1910.269



www.lotoappliances.com



Regd. Office:1H/31-A, N.I.T, Faridabad-121001 (Haryana) Postal Office:615, Sector-15-A, Faridabad-121007-Haryana-NCR-INDIA

www.krmcorporation.com | www.lockouttagouts.com | www.krmloto.com | www.locktagindia.com | www.lotoappliances.com

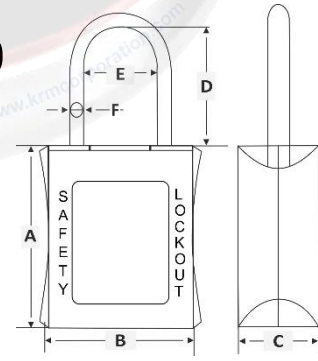
KRM LOTO - LOCK TAG PADLOCK METAL SHACKLE- ECONOMY RANGE -10 LEVEL

- A Padlock is a detachable lock passed by an opening with U Shaped shackle used to protect against unauthorized or unwanted stealing. Provided with LOCKING MECHANISM used to lock the different devices.
- PADLOCK----Molded lock structure durability - key system: DIFFER KEY , ALIKE KEY OPTION
- key System – 10 level management. Combination differ key vary from -600 -1000 nos. as per production pattern. and repeat after that .
- Key retaining feature in unlocked. Position .
- Configuration key card label as well as lock label , easy to know personal ID indicating the corresponding padlock for easy management.
- **Body Material** - Engineering material ABS
- **Shackle Material** - Heavy Coated Metal steel.
- **C. Key** : Brass with SS finish – 2 key each lock as standard , but in alike key one lock one key
- **Color** - Red, Blue, Green, Yellow, Black .
- **Weight** – 80gm (+-10%)
- **STANDARD ENGRAVED ALPHABETS WITH NUMRICAL NUMBER ON LOCK BODY & KEY HEAD.**



KRM-K-LSPL-MK-ENC10

KRM-K-LSPL-MKA-ENC10



BODY HEIGHT(A)	BODY WIDTH (B)	BODY DEPTH (C)	SHACKLE HEIGHT (D)	SHACKLE WIDTH (E)	SHACKLE THICKNESS (F)
45 mm	42 mm	20 mm	40 mm	20 mm	6 mm



OEM Manufacturer & Global Supplier of
Lockout Tagout & Safety Products

to meet
OSHA'S Lockout Tagout Standard
29 CFR, 1910.147&1910.269



www.lotoappliances.com



Regd. Office:1H/31-A, N.I.T, Faridabad-121001 (Haryana) Postal Office:615, Sector-15-A, Faridabad-121007-Haryana-NCR-INDIA

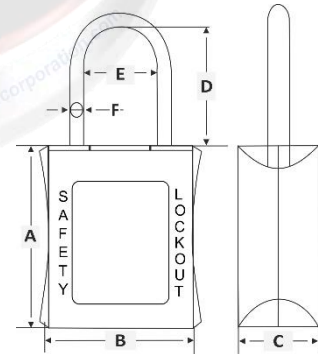
www.krmcorporation.com | www.lockouttagouts.com | www.krmloto.com | www.locktagindia.com | www.lotoappliances.com

KRM LOTO - LOCK TAG PADLOCK NYLON SHACKLE- ECONOMY RANGE – 10 LEVEL

- A Padlock is a detachable lock passed by an opening with U Shaped shackle used to protect against unauthorized or unwanted stealing. Provided with LOCKING MECHANISM used to lock the different devices.
- PADLOCK----Molded lock structure durability - key system: DIFFER KEY , ALIKE KEY OPTION
- key System – 10 level management. Combination differ key vary from - 600 -1000 nos. as per production pattern. and repeat after that .
- Key retaining feature in unlocked. Position .
- Configuration key card label as well as lock label , easy to know personal ID indicating the corresponding padlock for easy management.
- **Body Material** - Engineering material ABS
- **Shackle Material** – Black Nylon.
- **C. Key** : Brass with SS finish – 2 key each lock as standard , but in alike key one lock one key
- **Color** - Red, Blue, Green, Yellow, Black .
- **Weight** – 75gm (-+10%)
- **STANDARD ENGRAVED ALPHABETS WITH NUMRICAL NUMBER ON LOCK BODY & KEY HEAD.**



KRM-K-LSPL-NK-ENC10
KRM-K-LSPL-MKA-ENC10



BODY HEIGHT(A)	BODY WIDTH (B)	BODY DEPTH (C)	SHACKLE HEIGHT (D)	SHACKLE WIDTH (E)	SHACKLE THICKNESS (F)
45 mm	42 mm	20 mm	40 mm	20 mm	6 mm

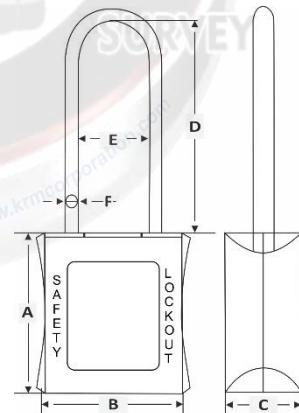


KRM LOTO - LOCK TAG PADLOCK METAL LONG SHACKLE- ECONOMY RANGE-5 LEVEL

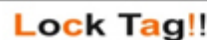
- A Padlock is a detachable lock passed by an opening with U Shaped shackle used to protect against unauthorized or unwanted stealing. Provided with LOCKING MECHANISM used to lock the different devices.
- PADLOCK---Molded lock structure durability - key system: DIFFER KEY , ALIKE KEY OPTION
- key System - 5 level management. Max Combination differ key -400 nos. and repeat after that .
- Key retaining feature in unlocked. Position .
- Configuration key card label as well as lock label , easy to know personal ID indicating the corresponding padlock for easy management.
- **Body Material** - Engineering material ABS
- **Shackle Material** - Heavy Coated Metal steel.
- Key : Brass with SS finish – 2 key each lock as standard , but in alike key one lock one key
- **Cylinder Pin** : normal internal Pin
- **NUMBERING** : Number on lock label and key chain only, not engraved
- **Color** - Red, Blue, Green, Yellow, Black .
- **Weight** – 100gm (+-10%)



KRM-K-DLSPL-MK-N5
KRM-K-DLSPL-MKA-N5



BODY HEIGHT (A)	BODY WIDTH (B)	BODY DEPTH (C)	SHACKLE HEIGHT (D)	SHACKLE WIDTH (E)	SHACKLE THICKNESS (F)
45 mm	42 mm	20 mm	65 mm	20 mm	6 mm



www.lotoappliances.com



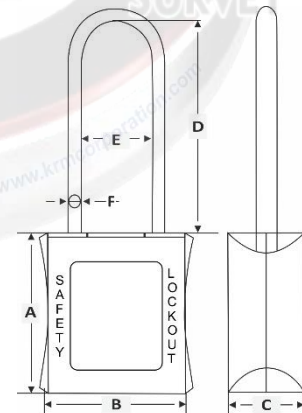
KRM LOTO - LOCK TAG PADLOCK NYLON LONG SHACKLE- ECONOMY RANGE-5 LEVEL

- A Padlock is a detachable lock passed by an opening with U Shaped shackle used to protect against unauthorized or unwanted stealing. Provided with LOCKING MECHANISM used to lock the different devices.
- PADLOCK---Molded lock structure durability - key system: DIFFER KEY , ALIKE KEY OPTION
- key System - 5 level management. Max Combination differ key -400 nos. and repeat after that .
- Key retaining feature in unlocked. Position .
- Configuration key card label as well as lock label , easy to know personal ID indicating the corresponding padlock for easy management.
- **Body Material** - Engineering material ABS
- **Shackle Material** - Black Nylon
- **Key** : Brass with SS finish – 2 key each lock as standard , but in alike key one lock one key
- **Cylinder Pin** : normal internal Pin
- **NUMBERING** : Number on lock label and key chain only, not engraved
- **Color** - Red, Blue, Green, Yellow, Black .
- **Weight** – 95gm (+10%)



KRM-K-DLSPL-NK-N5

KRM-K-DLSPL-NKA-N5



BODY HEIGHT (A)	BODY WIDTH (B)	BODY DEPTH (C)	SHACKLE HEIGHT (D)	SHACKLE WIDTH (E)	SHACKLE THICKNESS (F)
45 mm	42 mm	20 mm	65 mm	20 mm	6 mm



OEM Manufacturer & Global Supplier of
Lockout Tagout & Safety Products

to meet
OSHA'S Lockout Tagout Standard
29 CFR, 1910.147&1910.269



www.lotoappliances.com



Regd. Office:1H/31-A, N.I.T, Faridabad-121001 (Haryana) Postal Office:615, Sector-15-A, Faridabad-121007-Haryana-NCR-INDIA

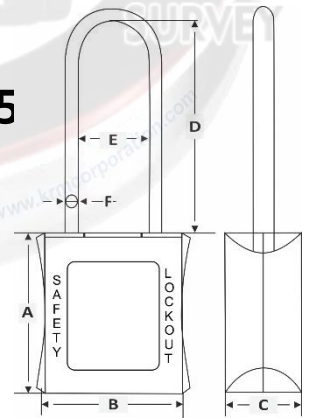
www.krmcorporation.com | www.lockouttagouts.com | www.krmloto.com | www.locktagindia.com | www.lotoappliances.com

KRM LOTO - LOCK TAG PADLOCK METAL LONG SHACKLE- ECONOMY RANGE-5 LEVEL

- A Padlock is a detachable lock passed by an opening with U Shaped shackle used to protect against unauthorized or unwanted stealing. Provided with LOCKING MECHANISM used to lock the different devices.
- PADLOCK---Molded lock structure durability - key system: DIFFER KEY , ALIKE KEY OPTION
- key System - 5 level management. Max Combination differ key -400 nos. and repeat after that .
- Key retaining feature in unlocked. Position .
- Configuration key card label as well as lock label , easy to know personal ID indicating the corresponding padlock for easy management.
- **Body Material** - Engineering material ABS
- **Shackle Material** - Heavy Coated Metal steel.
- Key : Brass with SS finish – 2 key each lock as standard , but in alike key one lock one key
- **Color** - Red, Blue, Green, Yellow, Black .
- **Weight** – 100gm (+-10%)
- **STANDARD ENGRAVED ALPHABETS WITH NUMRICAL NUMBER ON LOCK BODY & KEY HEAD.**



KRM-K-DLSPL-MK-EN5
KRM-K-DLSPL-MKA-EN5



BODY HEIGHT (A)	BODY WIDTH (B)	BODY DEPTH (C)	SHACKLE HEIGHT (D)	SHACKLE WIDTH (E)	SHACKLE THICKNESS (F)
45 mm	42 mm	20 mm	65 mm	20 mm	6 mm



OEM Manufacturer & Global Supplier of
Lockout Tagout & Safety Products

to meet
OSHA'S Lockout Tagout Standard
29 CFR, 1910.147&1910.269



www.lotoappliances.com



Regd. Office:1H/31-A, N.I.T, Faridabad-121001 (Haryana) Postal Office:615, Sector-15-A, Faridabad-121007-Haryana-NCR-INDIA

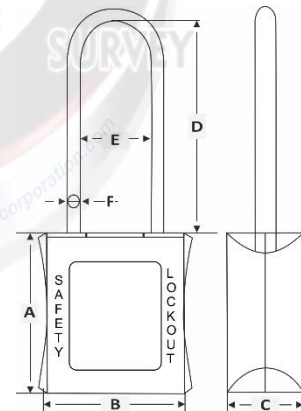
www.krmcorporation.com | www.lockouttagouts.com | www.krmloto.com | www.locktagindia.com | www.lotoappliances.com

KRM LOTO - LOCK TAG PADLOCK NYLON LONG SHACKLE- ECONOMY RANGE-5 LEVEL

- A Padlock is a detachable lock passed by an opening with U Shaped shackle used to protect against unauthorized or unwanted stealing. Provided with LOCKING MECHANISM used to lock the different devices.
- PADLOCK---Molded lock structure durability - key system: DIFFER KEY , ALIKE KEY OPTION
- key System - 5 level management. Max Combination differ key -400 nos. and repeat after that .
- Key retaining feature in unlocked. Position .
- Configuration key card label as well as lock label , easy to know personal ID indicating the corresponding padlock for easy management.
- **Body Material** - Engineering material ABS
- **Shackle Material** - Black Nylon
- **Key** : Brass with SS finish – 2 key each lock as standard , but in alike key one lock one key
- **Color** - Red, Blue, Green, Yellow, Black .
- **Weight** – 95gm (+10%)
- **STANDARD ENGRAVED ALPHABETS WITH NUMRICAL NUMBER ON LOCK BODY & KEY HEAD.**



KRM-K-DLSPL-NK-EN5
KRM-K-DLSPL-NKA-EN5



BODY HEIGHT (A)	BODY WIDTH (B)	BODY DEPTH (C)	SHACKLE HEIGHT (D)	SHACKLE WIDTH (E)	SHACKLE THICKNESS (F)
45 mm	42 mm	20 mm	65 mm	20 mm	6 mm



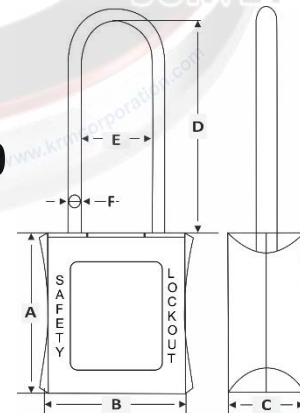
KRM LOTO - LOCK TAG PADLOCK METAL LONG SHACKLE-ECONOMY RANGE -10 LEVEL

- A Padlock is a detachable lock passed by an opening with U Shaped shackle used to protect against unauthorized or unwanted stealing. Provided with LOCKING MECHANISM used to lock the different devices.
- PADLOCK---Molded lock structure durability - key system: DIFFER KEY , ALIKE KEY OPTION
- key System – 10 level management. Combination differ key vary from - 600 -1000 nos. as per production pattern. and repeat after that .
- Key retaining feature in unlocked. Position .
- Configuration key card label as well as lock label , easy to know personal ID indicating the corresponding padlock for easy management.
- **Body Material** - Engineering material ABS
- **Shackle Material** - Heavy Coated Metal steel.
- **C. Key** : Brass with SS finish – 2 key each lock as standard , but in alike key one lock one key
- **NUMBERING** : Number on lock label and key chain only, not engraved
- **Color** - Red, Blue, Green, Yellow, Black .
- **Weight** – 100gm (-+10%)



KRM-K-DLSPL-MK-NC10

KRM-K-DLSPL-MKA-NC10



BODY HEIGHT (A)	BODY WIDTH (B)	BODY DEPTH (C)	SHACKLE HEIGHT (D)	SHACKLE WIDTH (E)	SHACKLE THICKNESS (F)
45 mm	42 mm	20 mm	65 mm	20 mm	6 mm



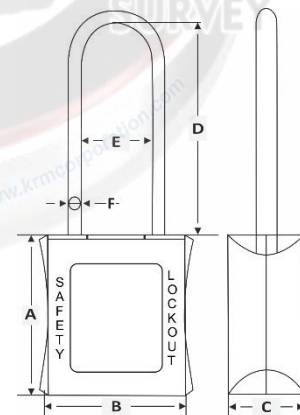
KRM LOTO - LOCK TAG PADLOCK NYLON LONG SHACKLE-ECONOMY RANGE-10 LEVEL

- A Padlock is a detachable lock passed by an opening with U Shaped shackle used to protect against unauthorized or unwanted stealing. Provided with LOCKING MECHANISM used to lock the different devices.
- PADLOCK---Molded lock structure durability - key system: DIFFER KEY , ALIKE KEY OPTION
- key System – 10 level management. Combination differ key vary from - 600 -1000 nos. as per production pattern. and repeat after that .
- Key retaining feature in unlocked. Position .
- Configuration key card label as well as lock label , easy to know personal ID indicating the corresponding padlock for easy management.
- **Body Material** - Engineering material ABS
- **Shackle Material** – Black Nylon.
- **C. Key** : Brass with SS finish – 2 key each lock as standard , but in alike key one lock one key
- **NUMBERING** : Number on lock label and key chain only, not engraved
- **Color** - Red, Blue, Green, Yellow, Black .
- **Weight** – 95gm (-+10%)



KRM-K-DLSPL-NK-NC10

KRM-K-DLSPL-MKA-NC10



BODY HEIGHT (A)	BODY WIDTH (B)	BODY DEPTH (C)	SHACKLE HEIGHT (D)	SHACKLE WIDTH (E)	SHACKLE THICKNESS (F)
45 mm	42 mm	20 mm	65 mm	20 mm	6 mm

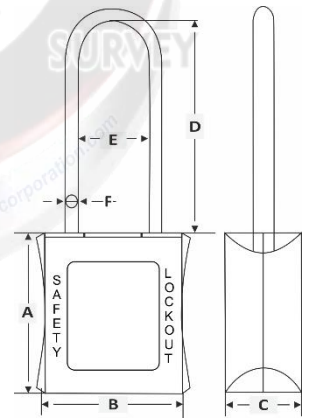


KRM LOTO - LOCK TAG PADLOCK METAL LONG SHACKLE-ECONOMY RANGE -10 LEVEL

- A Padlock is a detachable lock passed by an opening with U Shaped shackle used to protect against unauthorized or unwanted stealing. Provided with LOCKING MECHANISM used to lock the different devices.
- PADLOCK----Molded lock structure durability - key system: DIFFER KEY , ALIKE KEY OPTION
- key System – 10 level management. Combination differ key vary from - 600 -1000 nos. as per production pattern. and repeat after that .
- Key retaining feature in unlocked. Position .
- Configuration key card label as well as lock label , easy to know personal ID indicating the corresponding padlock for easy management.
- **Body Material** - Engineering material ABS
- **Shackle Material** - Heavy Coated Metal steel.
- **C. Key** : Brass with SS finish – 2 key each lock as standard , but in alike key one lock one key
- **Color** - Red, Blue, Green, Yellow, Black .
- **Weight** – 100gm (+10%)
- **STANDARD ENGRAVED ALPHABETS WITH NUMRICAL NUMBER ON LOCK BODY & KEY HEAD.**



KRM-K-DLSPL-MK-ENC10
KRM-K-DLSPL-MKA-ENC10



BODY HEIGHT (A)	BODY WIDTH (B)	BODY DEPTH (C)	SHACKLE HEIGHT (D)	SHACKLE WIDTH (E)	SHACKLE THICKNESS (F)
45 mm	42 mm	20 mm	65 mm	20 mm	6 mm



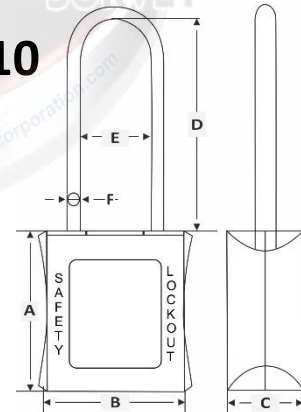
KRM LOTO - LOCK TAG PADLOCK NYLON LONG SHACKLE-ECONOMY RANGE-10 LEVEL

- A Padlock is a detachable lock passed by an opening with U Shaped shackle used to protect against unauthorized or unwanted stealing. Provided with LOCKING MECHANISM used to lock the different devices.
- PADLOCK----Molded lock structure durability - key system: DIFFER KEY , ALIKE KEY OPTION
- key System – 10 level management. Combination differ key vary from - 600 -1000 nos. as per production pattern. and repeat after that .
- Key retaining feature in unlocked. Position .
- Configuration key card label as well as lock label , easy to know personal ID indicating the corresponding padlock for easy management.
- **Body Material** - Engineering material ABS
- **Shackle Material** – Black Nylon.
- **C. Key** : Brass with SS finish – 2 key each lock as standard , but in alike key one lock one key
- **Color** - Red, Blue, Green, Yellow, Black .
- **Weight** – 95gm (-+10%)
- **STANDARD ENGRAVED ALPHABETS WITH NUMRICAL NUMBER ON LOCK BODY & KEY HEAD.**



KRM-K-DLSPL-NK-ENC10

KRM-K-DLSPL-MKA-ENC10



BODY HEIGHT (A)	BODY WIDTH (B)	BODY DEPTH (C)	SHACKLE HEIGHT (D)	SHACKLE WIDTH (E)	SHACKLE THICKNESS (F)
45 mm	42 mm	20 mm	65 mm	20 mm	6 mm