

KRM CORPORATION

ISO QMS - 9001:2015, ISO EMS 14001:2015, ISO OHSMS 45001:2018
to meet OSHA'S Lockout Tagout Standard 29 CFR, 1910.147&1910.269

GSTIN No.: 06AAVPW8746Q1Z6,
PAN No.: AAVPW8746Q
TIN No.: 06821328889,
TAN no.: RTKKO3359G
IEC: 0509006116

M: 00 91 9810 291 381, 8800 544 881



OEM Manufacturer & Global Supplier of
Lockout Tagout & Safety Products

to meet
OSHA'S Lockout Tagout Standard
29 CFR, 1910.147&1910.269



www.lotoappliances.com

safe loto

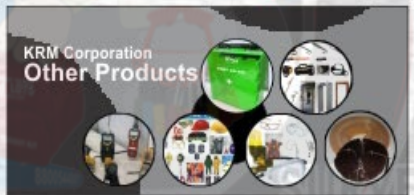


KRM Safetech Private Limited
QUALITY MANAGEMENT SYSTEM ISO QMS 9001:2015

GSTIN No.: 06AAECK2831L1Z1
PAN No.: AAECK2831L
TIN No.: 06824000112
CIN No.: U31903HR2011PTC042508
IEC: AAECK2831L

Telefax: 00 91 129 4021 381, 413 1381 (D)

www.krmcorporation.com | www.lockouttagouts.com | www.krmloto.com | www.locktagindia.com | www.lotoappliances.com



GSTIN No.: 06AAVPW8746Q1Z6,
PAN No.: AAVPW8746Q
TIN No.: 06821328889,
TAN no.: RTKKO3359G
IEC: 0509006116

M: 00 91 9810 291 381, 8800 544 881



Lock Tag!!

OEM Manufacturer & Global Supplier of
Lockout Tagout & Safety Products

to meet
OSHA'S Lockout Tagout Standard
29 CFR, 1910.147&1910.269



www.lotoappliances.com

safe loto



GSTIN No.: 06AAECK2831L1Z1
PAN No.: AAECK2831L
TIN No.: 06824000112
CIN No.: U31903HR2011PTC042508
IEC: AAECK2831L

Telefax: 00 91 129 4021 381, 413 1381 (D)

www.krmcorporation.com | www.lockouttagouts.com | www.krmloto.com | www.locktagindia.com | www.lotoappliances.com

KRM LOTO – STAINLESS STEEL SAFETY PADLOCK

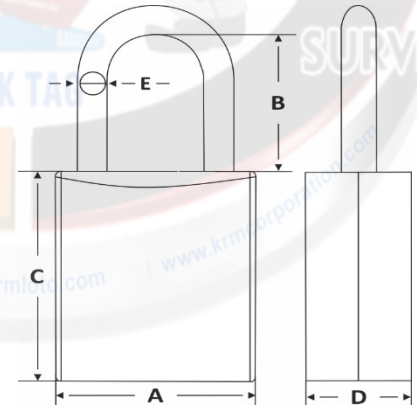
Index Page No:-2

SR.NO	KRM LOTO PART CODE	PRODUCT NAME	WEIGHT (kg)	TECHNICAL PAGE NO.
1	KRM-K-SSP	KRM LOTO – STAINLESS STEEL SAFETY PADLOCK	0.150	3-4



KRM LOTO – STAINLESS STEEL SAFETY PADLOCK

- Padlock Is a detachable Lock Passed By An Opening With U-shaped Shackle Used To Protect Against Unauthorized Or Unwanted Stealing. Provided With Latest Locking Mechanism Used To Lock The Different Devices.
- KRM LOTO SAFETY PADLOCK ---"seamless" lock structure durability-Key system: DIFFER KEY, ALIKE KEY, MASTER & DIFFER KEY.
- Stainless Steel Body Padlock with brass cylinder and 6 pin tumbler
- Key retaining-ensures that padlock is not left unlocked.
- Two layer nickel plated brass keys
- Hardened Steel Shackle
- Key system: **DIFFER KEY, ALIKE KEY, MASTER & DIFFER KEY.**
- **Body material:** Stainless steel body
- **Shackle Material:** Hardened Steel Shackle
- **Color:** Silver (Stainless Steel color)
- Withstand 48 to 72 hours of salt spray testing
- **Weight** – 120gm



BODY WIDTH (A)	SHACKLE HEIGHT (B)	BODY HEIGHT (C)	BODY DEPTH (D)	SHACKLE THICKNESS (E)
40 mm	38 mm	35 mm	17 mm	6.3 mm



LOCKOUT/TAGOUT

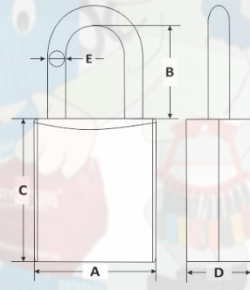
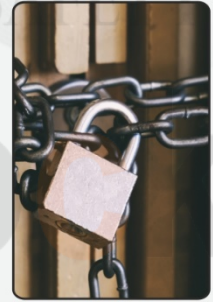


STAINLESS STEEL SAFETY PADLOCKS



Padlock Is a detachable Lock Passed By An Opening With U-shaped Shackle Used To Protect Against Unauthorized Or Unwanted Stealing. Provided With **Latest Locking Mechanism** Used To Lock The Different Devices.

- KRM LOTO SAFETY PADLOCK ---"seamless" lock structure durability-Key system: **DIFFER KEY, ALIKE KEY, MASTER & DIFFER KEY.**
- Stainless Steel Body Padlock with brass cylinder and 6 pin tumbler
- Key retaining-ensures that padlock is not left unlocked.
- Two layer nickel plated brass keys
- Hardened Steel Shackle
- **Key system:** DIFFER KEY, ALIKE KEY, MASTER & DIFFER KEY.
- **Body material:** Stainless steel body
- **Shackle Material:** Hardened Steel Shackle
- **Color:** Silver (Stainless Steel color)
- Withstand 48 to 72 hours of salt spray testing
- **Weight** – 120gm



KRM-K-SSP

BODY WIDTH (A)	SHACKLE HEIGHT (B)	BODY HEIGHT (C)	BODY DEPTH (D)	SHACKLE THICKNESS (E)
40mm	38mm	35mm	17mm	6.3mm